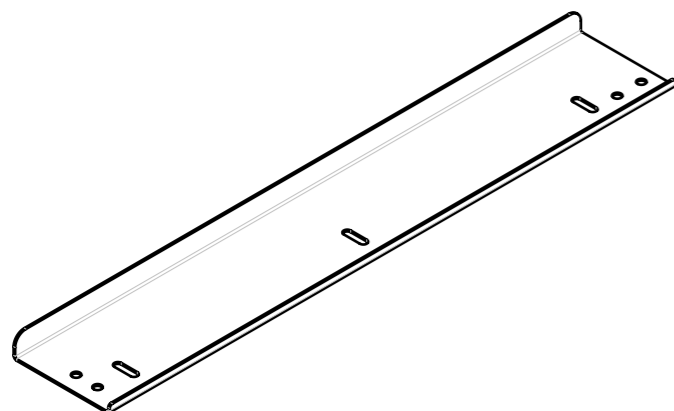
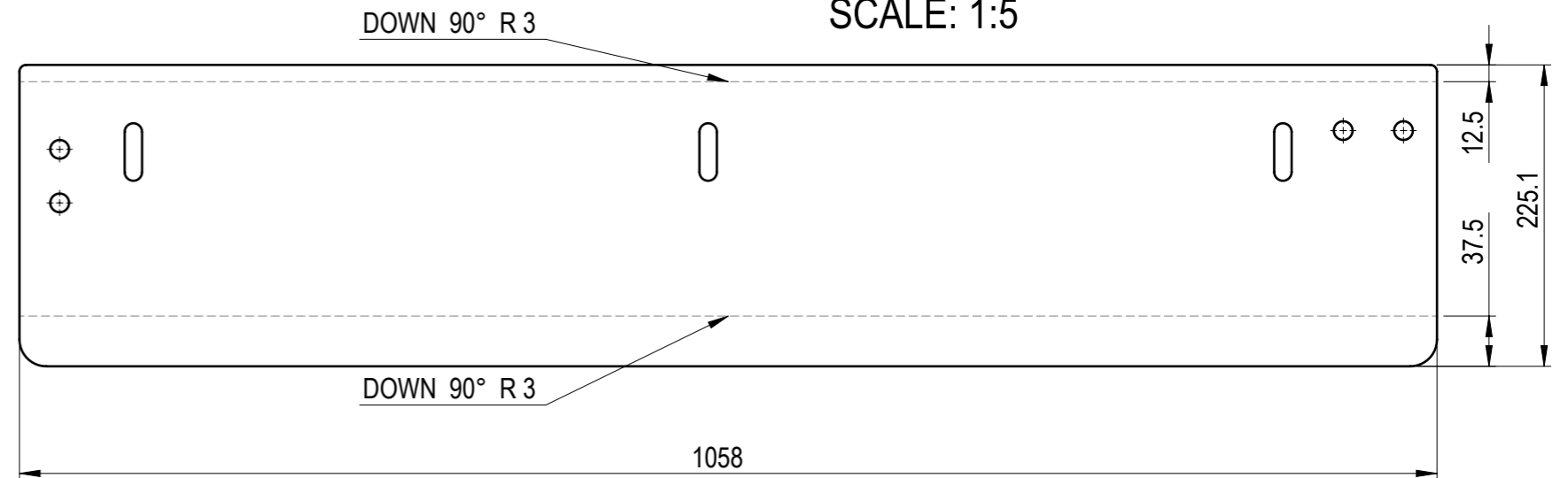


Flat Pattern view
SCALE: 1:5



SHEET METAL INFORMATION	
Length, mm	1058
Width, mm	225.1
Thickness, mm	3
Inside Bend Radius, mm	3
K-Factor	0.5
No. of Bends	2

WEMPS ENGINEERING SERVICES	MATERIAL	WEIGHT	DEBURR AND BREAK SHARP EDGES		REVISION	DATE
	DX51D+Z275	5.518 Kg	DO NOT SCALE DRAWING			5/29/2025
	SURFACE PROTECTION	MACHINING	THERMAL CUTTING	WELDING	SCALE	FORMAT
	Painting G3.04 ISO 12944	ISO 2768 mK	ISO 9013 221	ISO 13920 BF	1:5	A3
	NAME	SIGNATURE	PART NO.			
Designed by	D. Dislers		105-09200-04			
Drawn by	D. Dislers		DESCRIPTION			
Technical ref.			Right corner plate 2			SHEET 1/1